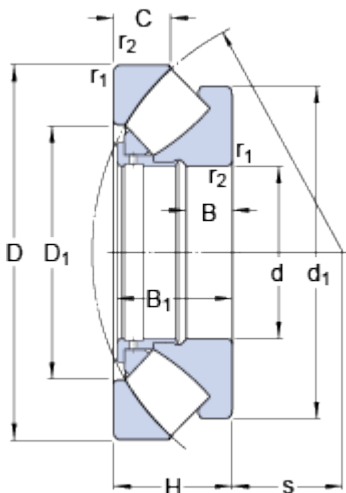


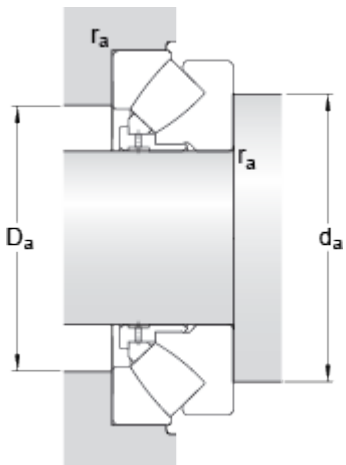
29292 E

Dimensions



d	460	mm
D	620	mm
H	95	mm
d_1	≈ 605	mm
D_1	≈ 530	mm
B	30	mm
B_1	91	mm
C	46	mm
s	245	mm
$r_{1,2}$	min. 5	mm

Abutment dimensions



d_a	min. 540	mm
D_a	max. 565	mm
r_a	max. 4	mm

Calculation data

Basic dynamic load rating	C	2070	kN
Basic static load rating	C_0	10600	kN
Fatigue load limit	P_u	865	kN
Reference speed		600	r/min
Limiting speed		950	r/min
Minimum axial load factor	A	11	

Mass

Mass bearing		81	kg
--------------	--	----	----